

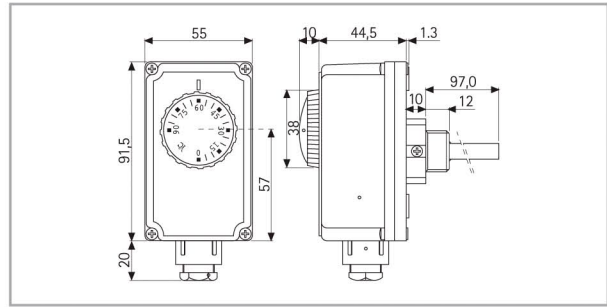
THERMOREGULATORS - INDICATORS

TC2



Immersion thermostat, measuring temperature thanks to liquid filled sensing element. SPDT contacts, complete with water proof protection pocket. The thermostat, usually used to measure temperature on the primary heating pipe circuit is particularly suitable for automatic adjustment of boilers, pumps and other various applications. It's available also in capillary version. Approvals: ENEC, DIN, ISPESL, conformity to PED standards.

IMMERSION ADJUSTABLE THERMOSTAT



Contacts rating = 10(2,5)A/250V~
 Contacts = switching or closing contact for temperature increasing

Max. head temperature = 80°C
 Max. bulb temperature = 125°C
 Temperature rate of change = 1°K/min
 Protection degree = IP40
 Cover colour = orange

ITEM CODE	TEMPERATURE RANGE	DIFFERENTIAL	MAX. BULB TEMPERATURE	CAPILLARY LENGTH	PROTECTION POCKET 1/2" NPT	COPPER BULB	METAL BASE	PACKAGE N.
542470	0°/90°C	$\Delta t = 4 \pm 1K$	130°C		7X8X100 mm			20
542425	0°/90°C	$\Delta t = 4 \pm 1K$	130°C		7X8X200 mm			20
542441	40°/210°C	$\Delta t = 9 \pm 2K$	250°C		7X8X100 mm		46x72 mm	20
542440	40°/210°C	$\Delta t = 9 \pm 2K$	250°C		7X8X200 mm		46x72 mm	20
542562	0°/90°C	$\Delta t = 4 \pm 1K$	130°C	1000 mm		Ø 6,5x95 mm		20